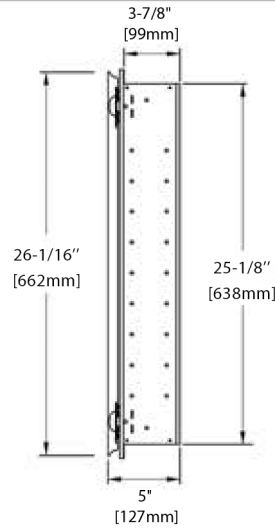
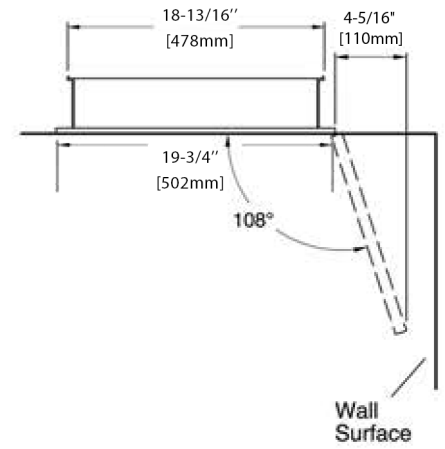


FRONT VIEW

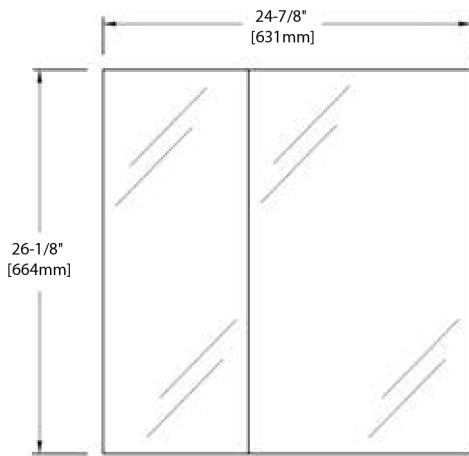


SIDE VIEW

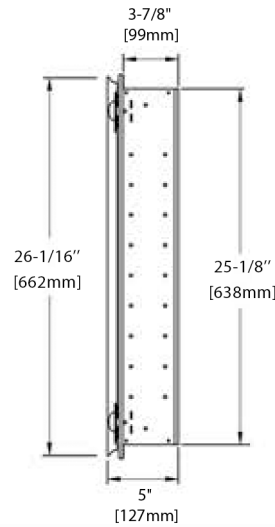


TOP VIEW

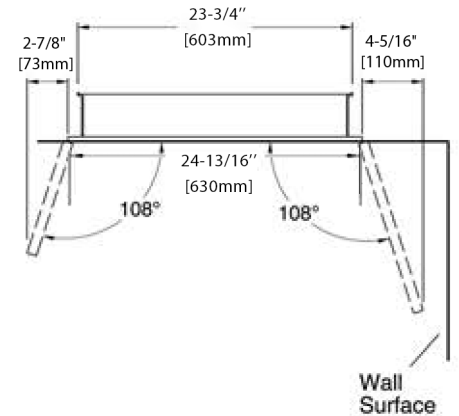
25" - MC7 2526



FRONT VIEW

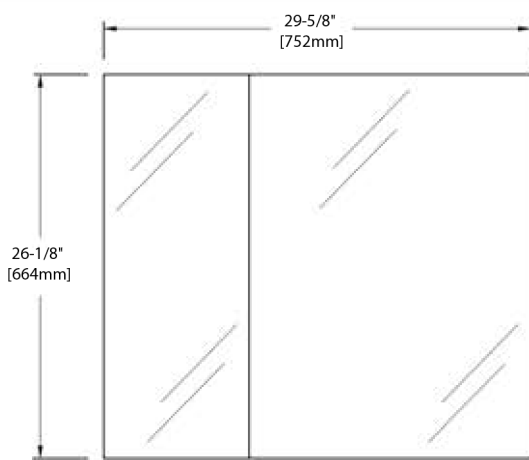


SIDE VIEW

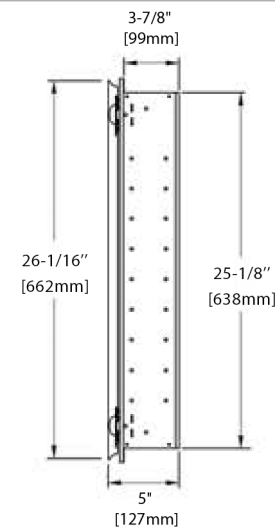


TOP VIEW

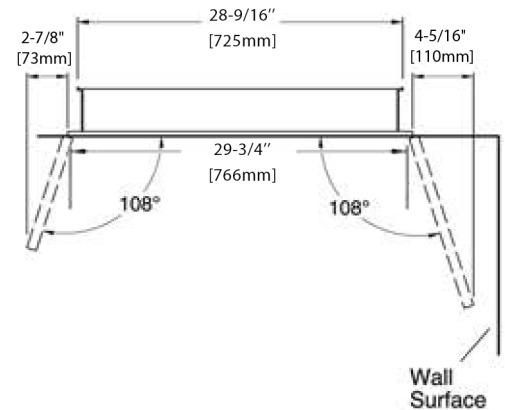
30" - MC7 3026



FRONT VIEW



SIDE VIEW



TOP VIEW

REQUIRED TOOLS



PARTS INCLUDED



<p>1</p>	<p>2</p>
<p>3</p> <p>Screw Position</p>	<p>4</p>
<p>5</p> <p>The glue is used to avoid the crash of the mirror when installing</p>	<p>6</p> <p>Align mirrored side panels to medicine cabinets.</p> <p>Mirror</p>

7 Attach mirrored side panels to the medicine cabinet using a screwdriver and provided screws.

8 Push and twist the snap-in pins into place. Fill remaining holes with the plugs. Slide glass into place.

9

10

A - Screw allows you to adjust from side to side
 B - Screw releases cabinet's door and allows adjustments from up to down
 C - Screw allows you to adjust the gap between doors